

Торайғыров университетінің хабаршысы
ҒЫЛЫМИ ЖУРНАЛЫ

НАУЧНЫЙ ЖУРНАЛ
Вестник Торайғыров университета

Торайғыров университетінің ХАБАРШЫСЫ

Энергетикалық сериясы
1997 жылдан бастап шығады



ВЕСТНИК Торайғыров университета

Энергетическая серия
Издается с 1997 года

ISSN 2710-3420

№ 2 (2023)

Павлодар

Энергетическая серия

выходит 4 раза в год

СВИДЕТЕЛЬСТВО

о постановке на переучет периодического печатного издания,
информационного агентства и сетевого издания

№ 14310-Ж

выдано

Министерство информации и общественного развития
Республики Казахстан

Тематическая направленность

публикация материалов в области электроэнергетики,
электротехнологии, автоматизации, автоматизированных и
информационных систем, электромеханики и теплоэнергетики

Подписной индекс – 76136

<https://doi.org/10.48081/ABAC7746>

Бас редакторы – главный редактор

Кислов А. П.

к.т.н., доцент

Заместитель главного редактора

Талипов О. М., *доктор PhD, доцент*

Ответственный секретарь

Приходько Е. В., *к.т.н., профессор*

Редакция алқасы – Редакционная коллегия

Клецель М. Я., *д.т.н., профессор*
Новожилов А. Н., *д.т.н., профессор*
Никитин К. И., *д.т.н., профессор (Россия)*
Никифоров А. С., *д.т.н., профессор*
Новожилов Т. А., *к.т.н., доцент (Россия)*
Оспанова Н. Н., *к.п.н., доцент*
Нефтисов А. В., *доктор PhD, доцент*
Шокубаева З. Ж. *технический редактор*

**Акишев К. М., Тулегулов А. Д., Байжарикова М.,
Аманкул Т., Ергеш М.**

Электр энергиясын тұтынуды бақылау, есепке алу және
деректерді жинау бойынша міндеттерді шешу үшін
NB-IoT технологиясының мүмкіндіктері12

Андреева О. А., Гоненко Т. В., Любецкая М. А., Азаматов М. Т.

Жылу алмасу аппараттарын басқарудың интеллектуалды
жүйесін қолдану25

Әмірхан М. Н., Искакова К. А.

Күн панеліне арналған трекер жүйесі36

Балтин А. Т., Ахметбаев Д. С., Таткеева Г. Г., Асаинов Г. Ж.

Қазақстан Республикасында 20 кВ арату желілерінің сенімділігін49

Барукин А. С., Мащрапов Б. Е., Клецель М. Я.

2п қайталама орамдарымен және 2п түзеткіштерімен
трансформаторы бар түрлендіргіш қондырғылардың
ресурс үнемдейтін дифференциалды қорғанысы61

Волгин М. Е., Волгина Е. М., Кислов А. П.

Реактивті қуатты оңтайлы басқару арқылы өнеркәсіптік
кәсіпорындардың 6–10 кВ электр желілерінің тиімділігін арттыру72

Генбач А. А., Бондарцев Д. Ю., Генбач Н. А.

Энергия жабдығының түтік-кеуекті құрылымдарында
жылу алмасуын көрсету85

Глуценко Т. И., Бедыч Т. В., Фёдорова М. Л.,

Исабекова Б. Б., Бижанов Н. У.

Автономды энергиямен қамтамасыз ету үшін балама технологиялар94

Жалмагамбетова У., Турсын М.

Тұзды алудың технологиялық процесінің
автоматтандырылған жүйесін жаңғырту106

Жумагулов М. Г., Баубек А. А., Грибков А. М.,

Глазырин С. А., Долгов М. В.

Төмендетуді зерттеу және оларды арттыру әдістері118

Исабеков Д. Д., Бобров В. Я., Марковский В. П.

Электрқондырғылардың ресурс үнемдейтін ток қорғаныстары130

Исенов С. С., Шерьязов С. Қ.

Жаңартылатын көздер базасында электрмен
жабдықтау жүйелерінің жай-күйі мен дамуын талдау140

Испулов Н. А., Султанова М. Ж., Оспанова Ж. Ж.,

Джусупова Э. М.

Микроконтроллерге негізделген ауаны жылытуды басқару жүйесі153

За достоверность материалов и рекламы ответственность несут авторы и рекламодатели

Редакция оставляет за собой право на отклонение материалов

При использовании материалов журнала ссылка на «Вестник Торайгыров университета» обязательна

© Торайгыров университет

**Рахадиллов Б. К., Даутбеков М. К., Журерова Л. Г.,
Степанова О. А., Акаев А. М.**

Технология получения покрытий методом детонационного
напыления на деталях энергетического оборудования
тепловых станций282

**Рахимбердинова Д. М., Новожилов А. Н., Колесников Е. Н.,
Жуматаев Н. Ш., Новожилов Т. А.**

Конструкционные особенности магнитных преобразователей тока.....295

Сыдыкова Г. К.

Анализ работы импульсного озонатора306

Талипов С. Н.

Разработка анализатора посещаемости студентов
с использованием QR-кодов317

Чныбаева Д. М., Цыба Ю. А.

Технологический и технический мониторинг магистрального
трубопровода средствами беспроводной цифровой технологии326

**Ярославцев М. В., Талипов О. М., Исабеков Ж. Б.,
Калтаев А. Г., Анарбаев А. Е.**

Повышение эффективности применения роботов-манипуляторов
для задач паллетизации при помощи специализированного
редактора схем укладки343

Сведения о авторах352

Правила для авторов381

Публикационная этика392

CONTENT

Akischev K. M., Tulegulov A. D., Baizharikova M., Amankul T., Yergesh M.	Capabilities of NB-IoT technology for solving tasks of monitoring, accounting and collecting data on electricity consumption.....	12
Andreyeva O., Gonenko T., Lyubetskaya M., Azamatov M.	Application of an intelligent control system for heat exchangers.....	25
Amirkhan M. N., Iskakova K. A.	Tracker system for solar battery	36
Baltin A. T., Akhmetbayev D. S., Tatkeeva G. G., Asainov G. Zh.	Study of reliability reduction of 20 kV distribution networks in the Republic of Kazakhstan and methods of their improvement	49
Barukin A. S., Mashrapov B. E., Kletsel M. Ya.	Resource-saving differential protection of converter installation with a transformer with 2n secondary windings and 2n rectifiers	61
Volgin M. E., Volgina E. M., Kisllov A. P.	Improving the efficiency of 6–10 kV power grids of industrial enterprises through optimal reactive power control.....	72
Genbach A. A., Bondartsev D. Yu., Genbach N. A.	Visualization of heat exchange in capillary porous structures of power equipment.....	85
Glushchenko T. I., Bedych T. V., Fyodorova M. L., Issabekova B. B., Bizhanov N. U.	Alternative technologies for autonomous power supply	94
Zhalmagambetova U., Tursyn M.	Modernization of the automated system technological process of salt extraction.....	106
Zhumagulov M. G., Baubek A. A., Gribkov A. M., Glazyrin S. A., Dolgov M. V.	Use of oil-water emulsion in swirl burners.....	118
Issabekov D. D., Bobrov V. Ya., Markovskiy V. P.	Resource-saving current protections for electrical installations.....	130
Issenov S. S., Sheryazov S. K.	Analysis of the state and development of electricity supply systems based on renewable sources	140
Ispulov N. A., Sultanova M. Zh., Ospanova Zh. Dzh., Jussupova E. M.	Air heating control system based on microcontroller.....	153
Kissabekova A. A., Krasnikov A. S., Alpyssova G. K.	Spectroscopy of niobate LuNbO ₄ :Bi, Eu – potential material for leds with a conversion luminophore	166

the observed trend of constant growth in electricity supply costs due to the wear of power grid equipment and the constant increase in prices for traditional energy carriers, as well as the need to ensure energy security.

Large costs will be required for autonomous electricity supply to rural producers, taking into account the seasonal nature of production and, accordingly, electricity consumption. To solve the problem of energy supply to remote rural consumers using renewable sources, scientific research is required with the justification and development of power supply systems.

Thus, the development of renewable energy is observed everywhere and in many countries of the world there is a program for their development. At the same time, the State policy on maintaining mechanisms for the development of renewable energy is of great importance. Among renewable energy sources, wind energy has received great development. To use wind energy in the power supply system, it is necessary to study its features.

Keywords: renewable energy sources, electricity supply, wind power, microgeneration, energy conservation.

SRSTI 50.47.29

<https://doi.org/10.48081/QYFY4461>

***N. A. Ispulov¹, M. Zh. Sultanova²,
Zh. Dzh. Ospanova³, E. M. Jussupova⁴**

^{1,2,3,4}Toraighyrov University, Republic of Kazakhstan, Pavlodar

*e-mail: s.m.zh@mail.ru

AIR HEATING CONTROL SYSTEM BASED ON MICROCONTROLLER

This article discusses a technological solution developed on the basis of an Arduino-type microcontroller with automatic control of air heating in production.

Currently, microcontrollers have a large range (more than 10,000), which differ among themselves in terms of application, parameters and other properties. Dozens of manufacturers are engaged in the release of microcontrollers.

Increasing reliability, speed and functional saturation, as well as reducing the amount of modern computer technology and electricity consumed have led to its widespread use to control complex technological objects with a large number of physical quantities and controlled installations.

The result of this article will be the development of a block diagram, drawing up a schematic diagram of a control system, block diagrams, writing a program for a microcontroller, developing an operation algorithm and a set of elements that can be used in any production, production process (for example, drying systems, heating installations, etc.), where an air heating control system is deemed necessary. Also, the main conclusions, concepts of this research work can be used in production processes, household appliances and as a teaching aid.

Keywords: microcontroller, system, controls, air heating, Arduino.

Introduction

Due to the rapid development of microelectronics, the computing power of modern microcontrollers has increased significantly. This has led to lower prices for microcontrollers and the use of the proposed capabilities of microcontrollers in circuits that were previously economically unprofitable.

Microcontrollers are found in all spheres of human life, in all the devices that surround him. Easy connection and extensive work opportunities. With the help of programming microcontrollers, it is possible to solve practical problems of hardware technologies. All production processes that need to be cost-effective and safe require a management system. It is a programmable logic controller that has spread rapidly in recent years and radically change control methods, which, along with its effective price, adds computing power and considerable flexibility [1].

In the research work [1] describes the developed model of a universal thermostat on an ATmega8 microcontroller; the devices used and how to connect them to the microcontroller. The algorithm of the program operation in a special CodeVisionAVR environment has been developed. The article [2] describes the technology of preparing and debugging the Arduino IDE environment and the method of connecting Arduino to LabVIEW. The errors that occur during saving and exporting the project in the message area are shown and corrected; the program of work with the description of the front panel and the schematic diagram of the device. A program for finding coefficients for thermistors has been written. In the article [3] an experimental circuit for determining the gas content in the air and a control program were developed using an Arduino microcontroller.

Materials and methods

A microcontroller is an integrated system consisting of memory, processor and I/O ports. The microcontroller is programmed to perform a specific task. If it is necessary to change or supplement its activities, it is necessary to re-download the program to the chip [4].

The main purpose of the microcontroller is its use in automatic control systems, even in various structures (credit card, mobile phones, music centers, washing machine, alarm system, nuclear reactors, production processes, etc.). It is used from industrial automation to household appliances, from controlling nuclear power plants to children's toys, from secret military systems to replacing the channels of your radio receiver. It is easier to list those areas in which they are not used [5–7].

The widespread use of software-controlled machines and equipment in industry, thermal power engineering, transport medicine, communication industries, electronics and microelectronics creates the need for a microcontroller.

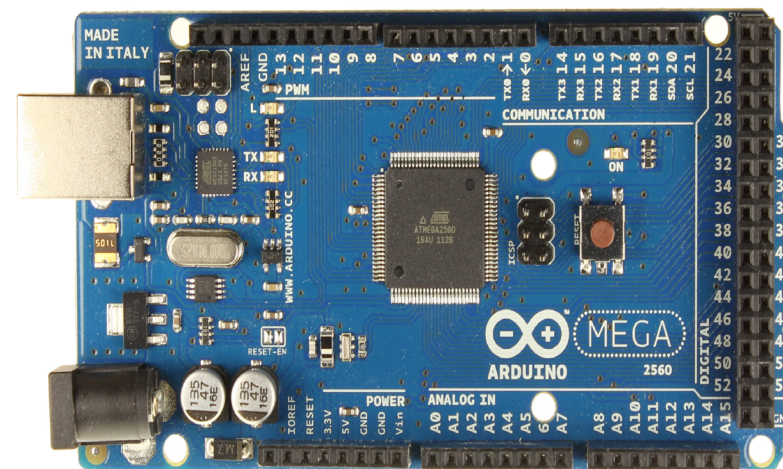


Figure 1 – Arduino Mega 2560 microcontroller

Microcontrollers differ from conventional computers in the following ways:

- all functions are located only in one small and convenient volume;
- programmed to perform a specific task;
- it is powered by energy in a smaller volume, since, depending on the physical parameters, the energy reserve is provided only in a smaller amount;
- it is efficient because it has a unidirectional I/O port and connects to peripheral devices [8–10].

Microcontroller design: core, registers, memory, cache, common I–O, timers, interrupt (stop), watchdog, peripherals, ordering capability.

The Arduino platform is used to simulate the air heating control system based on the Arduino Mega 2560 microcontroller.

Arduino is an electronic constructor and a convenient platform for quick preparation of electronic devices. The platform is known worldwide for the convenience and simplicity of its programming language, as well as its open architecture and code. The device is programmed via USB without the help of a programmer [11].

Arduino is built on the Mega Atmega2560 microcontroller. The board includes 54 digital inputs/outputs (14 of which can be combined as EIM outputs), 16 analog inputs, 4 UART serial ports, a 16 MHz quartz oscillator, a USB connector, a power connector, an ICSP connector and a reset button. To work, you must either connect the platform to a computer via a USB cable, or supply power via an AC/DC adapter or a battery. The Arduino Mega can get power by connecting it to USB, or via an external power supply. The power supply is removed automatically [12–13].

Results and discussions

General characteristics of the air heating control system project

Below is a diagram of an air heating control system assembled on a breadboard that operates via an Arduino Mega 2560 microcontroller.

1 – temperature of the output air flow D2, 2 – LED indicating the operating mode, 3 – field transistor, 4 – LED indicating compensation mode, 5 – input air flow temperature D1, 6 – Arduino Mega platform with Arduino Mega 2560 microcontroller, 7 – ventilator. The specification of the elements is presented in table 1.

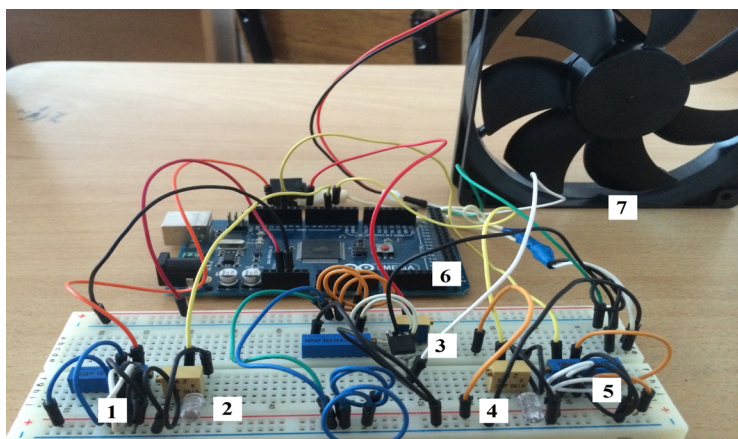


Figure 2 – Project diagram of the air heating control system

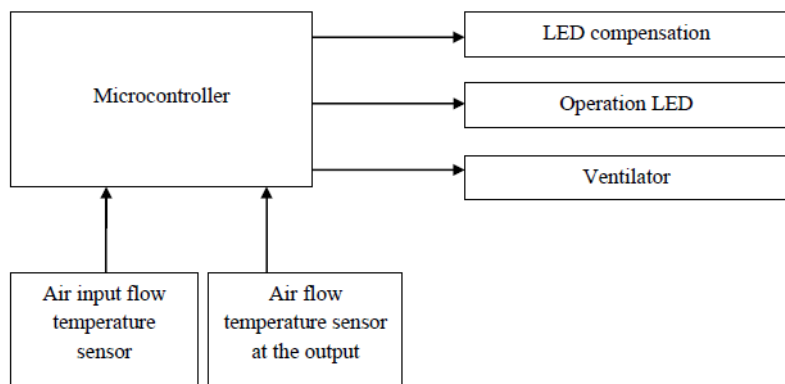


Figure 3 – Structural scheme of the air heating control system

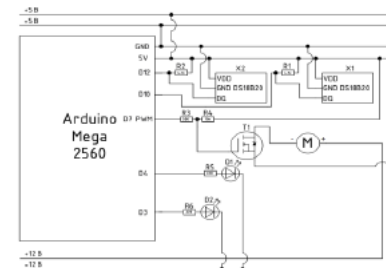


Figure 4 – Assigning scheme of the air heating control system

Table 1 – Specification of elements to a scheme

Designations	Element	Note
R1, R2	Resistor 4.7 kOhm	
X1	DS18B20 Temperature sensor	Air flow temperature sensor at the output
X1	DS18B20 Temperature sensor	Air flow temperature sensor at the input
R3	Resistor 500 Ohm	
R4	Resistor 10 kOhm	
T1	Field-effect transistor IRLR7843	
M	Ventilator motor	
R5, R6	Resistor 220 Ohm	
D1, D2	Light emitting diode (LED)	

Go to the input process of the Aruduino Mega 2560 microcontroller. The process of the Aruduino Mega 2560 microcontroller is performed in the Aruduino programming environment.

- The program (sketch) is recorded on Aruduino 1.6.9 (new version of Aruduino, freely available on the Internet, free).

- The program (sew up) is introduced into the memory of the board, which ensures the exchange of information between the microcontroller and software by the COM port (Fig. 5).

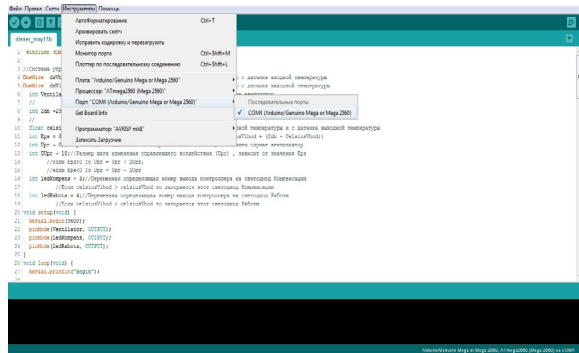


Figure 5 – COM port selection

The introduced sketch is checked and, after completing the compilation, press the download button. The interaction of a personal computer and MK can be seen by flashing LEDs RX and TX. You can try to open the monitor port to track temperature changes, that is, temperature sensors data.

The system works in the cycle (Fig. 6).

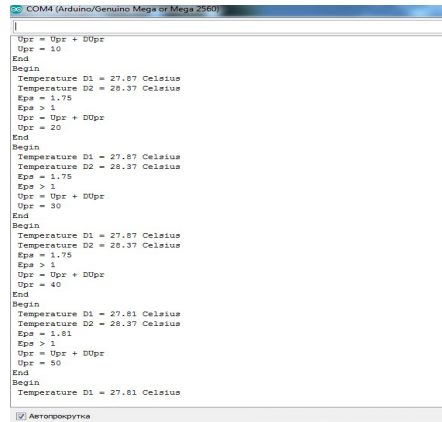


Figure 6 – Temperature change (port of the Arduino 1.6.9 monitor)

The code of the “Air heating control system” written in Arduino 1.6.9

```
// Air heating control system
OneWire dsVhod(10); // Variable defining the input number from the input
temperature sensor to the controller
OneWire dsVihod(12); // Variable defining the input number from the output
temperature sensor to the controller
```

```
int Ventilator = 7; // A variable determining the exit number of the controller
to the ventilator
//
int Zdn = 25; // The task of the temperature that should be obtained as a
result In this case, the task is 25 degrees Celsius
//
float celsiusVhod, celsiusVihod; // The temperature obtained from the input
sensor of the temperature and the output temperature sensor
int Eps = 0; // This is how the mismatch signal is calculated
Eps = (Zdn - CelsiusVihod + (Zdn - CelsiusVhod))
int Upr = 0; // Control action on the heating element, in this case – on the fan
int DUpr = 10; // The step size of the control effect depends on the value Eps
// if Eps>0 then Upr = Upr + DUpr,
// if Eps<0 then Upr = Upr - DUpr
int ledKompens = 3; // A variable that determines the output number to the
LED compensation of the controller
//If celsiusVhod > celsiusVihod then the compensation LED will light up
int ledRabota = 4; // Variable that determines the number of output to the
working LED of the controller
//Если celsiusVihod >= celsiusVhod then the work LED lights up
```

2) Example from the window of the monitor port

Conducted action
 Begin Begin
 Temperature D1 = 23.50 Celsius The input temperature is measured
 Temperature D2 = 23.00 Celsius The output temperature is measured
 Eps = 1.50 Eps is calculated
 Eps>0 The increase mode is displayed
 or reduce the effect of control

Upr = 10 The control effect is calculated,
 dependent on Eps value
 End End
 Begin
 Temperature D1 = 23.50 Celsius
 Temperature D2 = 23.00 Celsius
 Eps= 1.50
 Eps>0
 Upr = 20 Calculating Eps
 Upr started to rise
 End

```

Begin
Temperature D1 = 23.50 Celsius
Temperature D2 = 23.00 Celsius
Eps= 1.50
Eps>0
Upr = 30          Calculating Eps
Upr started to rise
End
Begin
Temperature D1 = 23.50 Celsius
Temperature D2 = 23.00 Celsius
Eps= 1.50
Eps>0
Upr = 40          Calculating Eps
Upr started to rise
End

```

The program is built from blocks. The Begin and End blocks represent the beginning and end of the loop. The temperature of the input temperature sensor and the temperature of the output temperature sensor are also displayed. Then the *Eps* value is calculated

$$Eps = Zdn - D_2 + (Zdn - D_1) \quad (1)$$

Eps always tends to zero. *Eps* – D1 shows how much the temperature of the input air flow and D2 shows how the temperature of the output air flow corresponds to the task *Zdn*. The variable *Eps* changes depending on the value. *Upr* – variable, providing a fan speed from 0 to 250. Experimentally, the number of steps equal to 10 units was chosen. The permissible range of control actions is from 0 to 255. Since the step is equal to 10 units, the range of control actions is from 0 to 250, that is, 25 steps. If $Eps < 0$, then $Upr = Upr - DUpr$.

If $Eps \geq 1$, than control action on the *Upr* heating element increases. If $Eps \leq 1$, than *Upr* the control effect on the heating element is reduced. The more the ventilator rotates, the more the heating element heats up.

The LED acts as an indicator, that is, it shows in which mode the system is operating. There are two modes in this system: compensation and working.

If the temperature of the output airflow is greater than the temperature of the input airflow $D2 > D1$, the LED will light up on it and the operating mode status will be displayed. If the temperature of the input air flow is greater than the temperature of the output air flow $D1 > D2$, the LED will light up on it, indicating the operation of the compensation mode.

Conclusion

As a result of this work: an air heating control system has been assembled on a breadboard with a circuit. The proposed system is based on the Arduino Mega 2560 microcontroller. A block diagram of the air heating control system has been developed. Based on the block diagram, a microcontroller, temperature sensors, indicator LEDs and an actuator, that is, a fan, were selected. The basis is the Arduino Mega 2560 microcontroller and the DS18B20 temperature sensor.

In addition, a schematic diagram of the control system was drawn up. It reflects all the elements used and shows the principle of operation between them.

The recording of the program for the microcontroller began with the development of a block diagram of the operation of the air heating control system. After writing the code for the microcontroller, a circuit was assembled on the breadboard and its correctness was checked.

As a result, an algorithm of operation and a set of elements that can be used in any production, production process (for example, grain drying, heating system, air conditioning, etc.), where an air heating control system is considered necessary, are obtained.

References

- 1 **Испулов, Н. А., Жумабеков, А. Ж., Абдрахманов, А. Б., Нургожина, М. М.** Об измерении температуры термистором с помощью микроконтроллеров Ардуино [Текст]. – Караганды : Вестник КарГУ, Выпуск: 85. Серия «Физика». – № 1. – Т. 1. – 2017. – С. 73–80.
- 2 **Испулов, Н. А., Жумабеков, А. Ж., Абдрахманов, А. Б.** Разработка программы универсального термостата с помощью микроконтроллера АтМега8 [Текст]. – Караганды : Вестник КарГУ, Выпуск: 86, Серия «Физика». – № 2. – Т. 2. – 2017. – С. 47–53.
- 3 **Испулов, Н. А., Жумабеков, А. Ж., Кадиров, К. К., Камашев, С. А.** Ардуино микробақылаушысын пайдаланып ауадағы газ буларын тіркеу [Текст] // Вестник Павлодарского государственного университета им. С. Торайғырова. Серия энергетическая. – 2018. – № 4. – С. 168–173.
- 4 **Бродин, Б. В.** Микроконтроллеры : Справочник [Текст]. – М. : ЭКОМ, 1999. – 395 с.
- 5 **Барыбин, А. А.** Электроника и микроэлектроника. Физико-технологические основы [Текст]. – М. : «Букинист», 2008. – 424 с.
- 6 **Белов, А. Б.** Конструирование устройств на микроконтроллерах [Текст]. – М. : Наука и Техника, 2005. – 255 с.
- 7 **Алексенко, А. Г.** Микросхемотехника [Текст]. – М. : Радио и связь, 1990. – 496 с.

8 **Бродин, В. Б.** Системы на микроконтроллерах и БИС программируемой логики [Текст]. – М. : ЭКОМ, 2002. – 400 с.

9 **Васильев, А. Е.** Микроконтроллеры : разработка встраиваемых приложений [Текст]. – СПб. : «БХВ-Петербург», 2008. – 197 с.

10 **Вуд, А.** Микропроцессоры в вопросах и ответах [Текст]. – М. : Энергоатомиздат, 1985. – 184 с.

11 **Гилмор, Ч.** Введение в микропроцессорную технику [Текст]. – М. : «Мир», 2002. – 325 б.

12 **Зиятдинов, С. И.** Проектирование специализированных вычислителей цифровой обработки сигналов [Текст]. – СПб. : «БХВ-Петербург», 2002. – 458 с.

13 **Иванов, В. Б.** Программирование микроконтроллеров для начинающих. Визуальное проектирование, язык С, ассемблер [Текст]. – М. : Корона-Век, МК-Пресс, 2010. – 176 с.

References

1 **Ispulov, N. A., Zhumabekov, A. Zh., Abdрахmanov, A. B., Nurgozhina, M. M.** Ob izmerenii temperatury termistorom s pomoshy mikrokontrollerov Arduino [About measuring temperature with a thermistor using Arduino microcontrollers] [Text]. – Karagandy : Vestnik KarGU, Vypusk : 85. Seriya «Fizika». – №1. – Т.1. – 2017. – P. 73–80.

2 **Ispulov, N. A., Zhumabekov, A. Zh., Abdрахmanov, A. B.** Razrabotka programmy universalnogo termostata s pomoshy mikrokontrollera AtMega8 [Development of a universal thermostat program using ATmega8 microcontroller] [Text]. – Karagandy : Vestnik KarGU, Vypusk: 86, Seriya «Fizika». – № 2. – Т. 2. – 2017. – P. 47–53.

3 **Ispulov, N. A., Zhumabekov, A. Zh., Kadirov, K. K., Kamashev, S. A.** Arduino mikrobaqylaushysyn paidalanyp auadagy gaz bularyn tirkeu [Registration of gas vapors in the air using the Arduino microcontroller] [Text]. Vestnik Pavlodarskogo gosudarstvennogo universiteta im S. Torajgyrova. Seriya energeticheskaya. – 2018. – № 4. – P. 168–173.

4 **Brodin, V. V.** Mikrokontrollery : Spravochnik [Microcontrollers] [Text]. – Moscow : EКОМ, 1999. – 395 p.

5 **Barybin, A. A.** Elektornika i mikroelektronika. Fiziko-technologicheskie osnovy [Electronics and microelectronics. Physical and technological basics] [Text]. – Moscow : «Bukinist», 2008. – 424 p.

6 **Belov, A. B.** Konstruirovaniye ustrojstv na mikrokontrollerax [Designing devices on microcontrollers] [Text]. – Moscow : Nauka i Tekhnika, 2005. – 255 p.

7 **Aleksenko, A. G.** Mikrosxemetexnika [Microchip technology] [Text]. – Moscow : Radio i svyaz, 1990. – 496 p.

8 **Brodin, V. B.** Sistemy na mikrokontrollerax i BIS programmiruemoj logiki [Systems based on microcontrollers and programmable logic BIS] [Text]. – Moscow : EКОМ, 2002. – 400 p.

9 **Vasilev, A. E.** Mikrokontrollery : razrabotka vstraivaemyx prilozhenij [Microcontrollers : development of embedded applications] [Text]. – SPb. : «BХV-Peterburg», 2008. – 197 p.

10 **Vud, A.** Mikroprocessory v voprosax i otvetax [Microprocessors in questions and answers] [Text]. – Moscow : Energoatomizdat, 1985. – 184 p.

11 **Gilmor, Ch.** Vvedenie v mikroprocessornuyu tekniku [Introduction to microprocessor technology] [Text]. – Moscow : Mir, 2002. – 325 p.

12 **Ziatdinov, S. I.** Proektirovaniye specializirovannyx vychislitelej cifrovoj obrabotki signalov [Design of specialized digital signal processing calculators] [Text]. – SPb. : BХV-Peterburg, 2002. – 458 p.

13 **Ivanov, V. B.** Programmirovaniye mikrokontrollerov dlya nachinayushhix. Vizualnoe proektirovaniye, yazyk C, assembler [Programming microcontrollers for beginners. Visual design, C language, assembler] [Text]. – Moscow : Korona-Vek, МК-Press, 2010. – 176 p.

Material received on 20.06.23.

*Н. А. Испулов¹, М. Ж. Султанова²,
Ж. Дж. Оспанова³, Э. М. Джусупова⁴
^{1,2,3,4}Торайғыров университеті,
Қазақстан Республикасы, Павлодар қ.

МИКРОКОНТРОЛЛЕРГЕ НЕГІЗДЕЛГЕН АУАНЫ ЖЫЛЫТУДЫ БАСҚАРУ ЖҮЙЕСІ

Мақалада өндірістегі ауаны жылытуды автоматты түрде реттейтін Arduino типті микроконтроллер негізінде жасалған технологиялық шешім қарастырылады.

Қазіргі уақытта микроконтроллерлерде қолдану аясы, параметрлері және басқа қасиеттері бойынша бір-бірінен ерекшеленетін үлкен номенклатура бар (10 000-нан астам). Микроконтроллерлерді шығарумен ондаған өндірушілер айналысады.

Сенімділіктің, жылдамдықтың және функционалдық қанықтылықтың жоғарылауы, сондай-ақ тұтынылатын заманауи есептеу техникасы мен электр энергиясының азаюы оның физикалық

Теруге 20.06.2023 ж. жіберілді. Басуға 30.06.2023 ж. қол қойылды.
Электрондық баспа
17,5 Мб RAM
Шартты баспа табағы 22,67. Таралымы 300 дана. Бағасы келісім бойынша.
Компьютерде беттеген: А. Мыржикова
Корректор: А. Р. Омарова
Тапсырыс № 4103

Сдано в набор 20.06 2023 г. Подписано в печать 30.06 2023 г.
Электронное издание
17,5 Мб RAM
Усл. печ. л. 22,67. Тираж 300 экз. Цена договорная.
Компьютерная верстка: А. Мыржикова
Корректор: А. Р. Омарова
Заказ № 4103

«Toraighyrov University» баспасынан басылып шығарылған
«Торайғыров университет»
коммерциялық емес акционерлік қоғамы
140008, Павлодар қ., Ломов к., 64, 137 каб.

«Toraighyrov University» баспасы
«Торайғыров университет»
коммерциялық емес акционерлік қоғамы
140008, Павлодар қ., Ломов к., 64, 137 каб.
8 (7182) 67-36-69
E-mail: kereku@tou.edu.kz
www.vestnik-energy.tou.edu.kz