

ISSN 2518-170X (Online),
ISSN 2224-5278 (Print)

ҚАЗАҚСТАН РЕСПУБЛИКАСЫ
ҰЛТТЫҚ ҒЫЛЫМ АКАДЕМИЯСЫНЫҢ
Қ. И. Сәтпаев атындағы Қазақ ұлттық техникалық зерттеу университеті

Х А Б А Р Л А Р Ы

ИЗВЕСТИЯ

НАЦИОНАЛЬНОЙ АКАДЕМИИ НАУК
РЕСПУБЛИКИ КАЗАХСТАН
Казахский национальный исследовательский
технический университет им. К. И. Сатпаева

NEWS

OF THE ACADEMY OF SCIENCES
OF THE REPUBLIC OF KAZAKHSTAN
Kazakh national research technical university
named after K. I. Satpayev

ГЕОЛОГИЯ ЖӘНЕ ТЕХНИКАЛЫҚ ҒЫЛЫМДАР СЕРИЯСЫ



СЕРИЯ ГЕОЛОГИИ И ТЕХНИЧЕСКИХ НАУК



SERIES OF GEOLOGY AND TECHNICAL SCIENCES

5 (431)

ҚЫРКҮЙЕК – ҚАЗАН 2018 ж.
СЕНТЯБРЬ – ОКТЯБРЬ 2018 г.
SEPTEMBER – OCTOBER 2018

ЖУРНАЛ 1940 ЖЫЛДАН ШЫҒА БАСТАҒАН
ЖУРНАЛ ИЗДАЕТСЯ С 1940 г.
THE JOURNAL WAS FOUNDED IN 1940.

ЖЫЛЫНА 6 РЕТ ШЫҒАДЫ
ВЫХОДИТ 6 РАЗ В ГОД
PUBLISHED 6 TIMES A YEAR

NAS RK is pleased to announce that News of NAS RK. Series of geology and technical sciences scientific journal has been accepted for indexing in the Emerging Sources Citation Index, a new edition of Web of Science. Content in this index is under consideration by Clarivate Analytics to be accepted in the Science Citation Index Expanded, the Social Sciences Citation Index, and the Arts & Humanities Citation Index. The quality and depth of content Web of Science offers to researchers, authors, publishers, and institutions sets it apart from other research databases. The inclusion of News of NAS RK. Series of geology and technical sciences in the Emerging Sources Citation Index demonstrates our dedication to providing the most relevant and influential content of geology and engineering sciences to our community.

Қазақстан Республикасы Ұлттық ғылым академиясы "ҚР ҰҒА Хабарлары. Геология және техникалық ғылымдар сериясы" ғылыми журналының Web of Science-тің жаңаланған нұсқасы Emerging Sources Citation Index-те индекстелуге қабылданғанын хабарлайды. Бұл индекстелу барысында Clarivate Analytics компаниясы журналды одан әрі the Science Citation Index Expanded, the Social Sciences Citation Index және the Arts & Humanities Citation Index-ке қабылдау мәселесін қарастыруда. Web of Science зерттеушілер, авторлар, баспашылар мен мекемелерге контент тереңдігі мен сапасын ұсынады. ҚР ҰҒА Хабарлары. Геология және техникалық ғылымдар сериясы Emerging Sources Citation Index-ке енуі біздің қоғамдастық үшін ең өзекті және беделді геология және техникалық ғылымдар бойынша контентке адалдығымызды білдіреді.

НАН РК сообщает, что научный журнал «Известия НАН РК. Серия геологии и технических наук» был принят для индексирования в Emerging Sources Citation Index, обновленной версии Web of Science. Содержание в этом индексировании находится в стадии рассмотрения компанией Clarivate Analytics для дальнейшего принятия журнала в the Science Citation Index Expanded, the Social Sciences Citation Index и the Arts & Humanities Citation Index. Web of Science предлагает качество и глубину контента для исследователей, авторов, издателей и учреждений. Включение Известия НАН РК. Серия геологии и технических наук в Emerging Sources Citation Index демонстрирует нашу приверженность к наиболее актуальному и влиятельному контенту по геологии и техническим наукам для нашего сообщества.

Б а с р е д а к т о р ы
э. ғ. д., профессор, ҚР ҰҒА академигі

И.К. Бейсембетов

Бас редакторының орынбасары

Жолтаев Г.Ж. проф., геол.-мин. ғ. докторы

Р е д а к ц и я а л қ а с ы:

Абаканов Т.Д. проф. (Қазақстан)
Абишева З.С. проф., академик (Қазақстан)
Агабеков В.Е. академик (Беларусь)
Алиев Т. проф., академик (Әзірбайжан)
Бакиров А.Б. проф., (Қырғыстан)
Беспәев Х.А. проф. (Қазақстан)
Бишимбаев В.К. проф., академик (Қазақстан)
Буктуков Н.С. проф., академик (Қазақстан)
Булат А.Ф. проф., академик (Украина)
Ганиев И.Н. проф., академик (Тәжікстан)
Грэвис Р.М. проф. (АҚШ)
Ерғалиев Г.К. проф., академик (Қазақстан)
Жуков Н.М. проф. (Қазақстан)
Кенжалиев Б.К. проф. (Қазақстан)
Қожахметов С.М. проф., академик (Қазақстан)
Конторович А.Э. проф., академик (Ресей)
Курскеев А.К. проф., академик (Қазақстан)
Курчавов А.М. проф., (Ресей)
Медеу А.Р. проф., академик (Қазақстан)
Мұхамеджанов М.А. проф., корр.-мүшесі (Қазақстан)
Нигматова С.А. проф. (Қазақстан)
Оздоев С.М. проф., академик (Қазақстан)
Постолатий В. проф., академик (Молдова)
Ракишев Б.Р. проф., академик (Қазақстан)
Сейтов Н.С. проф., корр.-мүшесі (Қазақстан)
Сейтмуратова Э.Ю. проф., корр.-мүшесі (Қазақстан)
Степанец В.Г. проф., (Германия)
Хамфери Дж.Д. проф. (АҚШ)
Штейнер М. проф. (Германия)

«ҚР ҰҒА Хабарлары. Геология мен техникалық ғылымдар сериясы».

ISSN 2518-170X (Online),

ISSN 2224-5278 (Print)

Меншіктенуші: «Қазақстан Республикасының Ұлттық ғылым академиясы» РҚБ (Алматы қ.).

Қазақстан республикасының Мәдениет пен ақпарат министрлігінің Ақпарат және мұрағат комитетінде 30.04.2010 ж. берілген №10892-Ж мерзімдік басылым тіркеуіне қойылу туралы куәлік.

Мерзімділігі: жылына 6 рет.

Тиражы: 300 дана.

Редакцияның мекенжайы: 050010, Алматы қ., Шевченко көш., 28, 219 бөл., 220, тел.: 272-13-19, 272-13-18,
<http://nauka-nanrk.kz/geology-technical.kz>

© Қазақстан Республикасының Ұлттық ғылым академиясы, 2018

Редакцияның Қазақстан, 050010, Алматы қ., Қабанбай батыра көш., 69а.

мекенжайы: Қ. И. Сәтбаев атындағы геология ғылымдар институты, 334 бөлме. Тел.: 291-59-38.

Типографияның мекенжайы: «Аруна» ЖК, Алматы қ., Муратбаева көш., 75.

Г л а в н ы й р е д а к т о р
д. э. н., профессор, академик НАН РК

И. К. Бейсембетов

Заместитель главного редактора

Жолтаев Г.Ж. проф., доктор геол.-мин. наук

Р е д а к ц и о н н а я к о л л е г и я:

Абаканов Т.Д. проф. (Казахстан)
Абишева З.С. проф., академик (Казахстан)
Агабеков В.Е. академик (Беларусь)
Алиев Т. проф., академик (Азербайджан)
Бакиров А.Б. проф., (Кыргызстан)
Беспаяев Х.А. проф. (Казахстан)
Бишимбаев В.К. проф., академик (Казахстан)
Буктуков Н.С. проф., академик (Казахстан)
Булат А.Ф. проф., академик (Украина)
Ганиев И.Н. проф., академик (Таджикистан)
Грэвис Р.М. проф. (США)
Ергалиев Г.К. проф., академик (Казахстан)
Жуков Н.М. проф. (Казахстан)
Кенжалиев Б.К. проф. (Казахстан)
Кожамметов С.М. проф., академик (Казахстан)
Конторович А.Э. проф., академик (Россия)
Курскеев А.К. проф., академик (Казахстан)
Курчавов А.М. проф., (Россия)
Медеу А.Р. проф., академик (Казахстан)
Мухамеджанов М.А. проф., чл.-корр. (Казахстан)
Нигматова С.А. проф. (Казахстан)
Оздоев С.М. проф., академик (Казахстан)
Постолатий В. проф., академик (Молдова)
Ракишев Б.Р. проф., академик (Казахстан)
Сейтов Н.С. проф., чл.-корр. (Казахстан)
Сейтмуратова Э.Ю. проф., чл.-корр. (Казахстан)
Степанец В.Г. проф., (Германия)
Хамфери Дж.Д. проф. (США)
Штейнер М. проф. (Германия)

«Известия НАН РК. Серия геологии и технических наук».

ISSN 2518-170X (Online),

ISSN 2224-5278 (Print)

Собственник: Республиканское общественное объединение «Национальная академия наук Республики Казахстан (г. Алматы)

Свидетельство о постановке на учет периодического печатного издания в Комитете информации и архивов Министерства культуры и информации Республики Казахстан №10892-Ж, выданное 30.04.2010 г.

Периодичность: 6 раз в год

Тираж: 300 экземпляров

Адрес редакции: 050010, г. Алматы, ул. Шевченко, 28, ком. 219, 220, тел.: 272-13-19, 272-13-18,
<http://nauka-nanrk.kz/geology-technical.kz>

© Национальная академия наук Республики Казахстан, 2018

Адрес редакции: Казахстан, 050010, г. Алматы, ул. Кабанбай батыра, 69а.

Институт геологических наук им. К. И. Сатпаева, комната 334. Тел.: 291-59-38.

Адрес типографии: ИП «Аруна», г. Алматы, ул. Муратбаева, 75

Editor in chief

doctor of Economics, professor, academician of NAS RK

I. K. Beisembetov

Deputy editor in chief

Zholtayev G.Zh. prof., dr. geol-min. sc.

Editorial board:

Abakanov T.D. prof. (Kazakhstan)
Abisheva Z.S. prof., academician (Kazakhstan)
Agabekov V.Ye. academician (Belarus)
Aliyev T. prof., academician (Azerbaijan)
Bakirov A.B. prof., (Kyrgyzstan)
Bespayev Kh.A. prof. (Kazakhstan)
Bishimbayev V.K. prof., academician (Kazakhstan)
Buktukov N.S. prof., academician (Kazakhstan)
Bulat A.F. prof., academician (Ukraine)
Ganiyev I.N. prof., academician (Tadjikistan)
Gravis R.M. prof. (USA)
Yergaliev G.K. prof., academician (Kazakhstan)
Zhukov N.M. prof. (Kazakhstan)
Kenzhaliyev B.K. prof. (Kazakhstan)
Kozhakhmetov S.M. prof., academician (Kazakhstan)
Kontorovich A.Ye. prof., academician (Russia)
Kurskeyev A.K. prof., academician (Kazakhstan)
Kurchavov A.M. prof., (Russia)
Medeu A.R. prof., academician (Kazakhstan)
Muhamedzhanov M.A. prof., corr. member. (Kazakhstan)
Nigmatova S.A. prof. (Kazakhstan)
Ozdoev S.M. prof., academician (Kazakhstan)
Postolatii V. prof., academician (Moldova)
Rakishev B.R. prof., academician (Kazakhstan)
Seitov N.S. prof., corr. member. (Kazakhstan)
Seitmuratova Ye.U. prof., corr. member. (Kazakhstan)
Stepanets V.G. prof., (Germany)
Humphery G.D. prof. (USA)
Steiner M. prof. (Germany)

News of the National Academy of Sciences of the Republic of Kazakhstan. Series of geology and technology sciences.

ISSN 2518-170X (Online),

ISSN 2224-5278 (Print)

Owner: RPA "National Academy of Sciences of the Republic of Kazakhstan" (Almaty)

The certificate of registration of a periodic printed publication in the Committee of information and archives of the Ministry of culture and information of the Republic of Kazakhstan N 10892-Ж, issued 30.04.2010

Periodicity: 6 times a year

Circulation: 300 copies

Editorial address: 28, Shevchenko str., of. 219, 220, Almaty, 050010, tel. 272-13-19, 272-13-18,
<http://nauka-nanrk.kz/geology-technical.kz>

© National Academy of Sciences of the Republic of Kazakhstan, 2018

Editorial address: Institute of Geological Sciences named after K.I. Satpayev
69a, Kabanbai batyr str., of. 334, Almaty, 050010, Kazakhstan, tel.: 291-59-38.

Address of printing house: ST "Aruna", 75, Muratbayev str, Almaty

NEWS

OF THE NATIONAL ACADEMY OF SCIENCES OF THE REPUBLIC OF KAZAKHSTAN

SERIES OF GEOLOGY AND TECHNICAL SCIENCES

ISSN 2224-5278

<https://doi.org/10.32014/2018.2518-170X.18>

Volume 5, Number 431 (2018), 128 – 132

MRNTI 44.29.37

UDC 621.316.91

Zh. B. Issabekov¹, A. N. Novozhilov¹, T. A. Novozhilov², B. B. Issabekova³

¹Pavlodar State University, Pavlodar, Kazakhstan,

²Omsk State Technical University, Omsk, Russia,

³Pavlodar State Pedagogical University, Pavlodar, Kazakhstan.

E-mail: zh_is@mail.ru, timokvey@mail.ru, timokvey@mail.ru, asbizh@mail.ru

PROTECTION OF A TWO-CABLE LINE FROM SINGLE PHASE-TO-EARTH FAULT WITH ABSOLUTE SELECTIVITY

Abstract. At present, if the line has two cables, during its protection from single phase-to-earth fault one zero sequence current transformer worn simultaneously on both cables or one per cable is used in isolated neutral system. In this case, the secondary coils of these transformers are connected in parallel or in series. If the conditions for selecting the operation threshold set out in are fulfilled, the operation zone of such protection applies both to the entire line and to all its consumers. As a result, the protection of such a line has a relative selectivity.

This article substantiates the relevance of the protection of a two-cable line from single phase-to-earth fault with absolute selectivity; develops the method of its protection based on measuring the difference of the zero sequence currents in this line cables; provides for the choice of the mode of this line operation, in which the unbalance current in the current relay is maximal; proposes a method for calculating the current relay operation threshold, as well as evaluates the protection insensitivity zone and its dependence on the number of connections on the substation bus bars.

Keywords: two-cable electric line, single phase-to-earth fault, protection method, protection operation threshold.

Introduction. In urban and industrial power supply systems, most of the electric power is distributed to consumers through cable networks with a voltage of 6-10 kV. At the same time, up to 75-90% of the total number of electrical damages in these cable networks is due to single-phase to ground fault (SPGF) [1-3], which are often the primary cause of more severe accidents, accompanied by significant economic damage. At the same time, the current of the SPGF is small, since it is caused by the cable cores capacitance relative to the earth [4-6]. In this regard, in accordance with the EIC (Electrical Installation Code), the existence of an SPGF is allowed within two hours, while the relay protection from SPGF can act both on the trip and on the signal [7, 8].

As you know, cable networks of large cities and powerful industrial enterprises are complex, and their configuration depends on the location and number of power sources (PS), switchgears (SW) and electricity consumers (EC), technological conditions of the production [9,10]. A significant role in such cable networks is played by communication lines, which are used to redistribute electricity between power sources and switchgears in a city or industrial enterprise. Such lines are equipped with two switches, and some of them are made in the form of two or more cables.

At present, if the line has two cables, when implementing its protection [1, 2, 11] from a single-phase to ground fault (SPGF) [12, 13] one core balance current transformer (CBCT) is used in networks with isolated neutral. It is worn simultaneously on both cables or one CBCT per cable. In this case, the secondary windings of these transformers [14] are in parallel or in series aiding. When the conditions for selecting the trigger threshold set out in [1, 2, 11] are fulfilled, the protection zone of such protection applies both to the entire line and to all its consumers. As a result, the protection of such a line has a relative selectivity.

At the same time, selective disconnection of the damaged network element is a fundamental requirement, which is required for relay protection of 6-10 kV cable networks from SPGF [7]. In this regard, two directional maximum residual current protections with a step-by-step selection of the response time of type ZZP-1 or MiCOM are established for each communication line. Such protections have a relative selectivity, and to ensure their operation, a zero-sequence voltage source is required [15, 16]. In relay protection [17, 18], this voltage is obtained from the secondary winding of a three-phase voltage measuring transformer of NTMI type connected to an open triangle.

Therefore, due to the constantly changing number of connections, the calculation of operation thresholds of directional current protectors on the communication line buses is rather complicated and depends on many factors. In this regard, it is not always possible to build the protection so that they adequately respond to the SPGF in a network with such a line. In addition, failure of protection at one of the stages can lead to a long and time-consuming search for the reason of the protected line disconnection. Moreover, in a rather complex network, the search time can exceed the two-hours regulated by EIC.

Largely, the listed problems can be avoided by using protection with absolute selectivity on communication lines. In addition, to improve the reliability of power supply, protection with absolute selectivity in some cases can be used as a backup.

Thus, the development of protection with absolute selectivity from single-phase to ground fault in a line of two cables, which does not require a zero-sequence voltage source is relevant.

Principle of operation of device. It is possible to obtain absolute selectivity [11] if the secondary coils of the zero-sequence transformers are connected in parallel-opposition or series-opposition. That is, to use the cross-differential principle of constructing line protection on zero-sequence currents.

The scheme of such protection is shown in Fig.1, where the protected two-cable line with two ZSCTs is designated as W1, and the remaining lines of the cable network are replaced by one equivalent, which is designated as WΣ. At the same time, for simplicity, it is considered that ZSCTs have a transformation ratio equal to one.

As a result, at SPEF at points k1 and k2 on substation bus bars and the load as shown in figure 1,a, currents I_{C1.1} and I_{C1.2} of zero sequence flowing along the ZSCT CT1 and CT2 will be equal in magnitude and have one direction (figure 1,a). Herewith, current in the coil of the current relay CR is

$$I_{r,k1} = I_{C1.1} - I_{C1.2} = 0 \tag{1}$$

In turn, at SPEF, at any point in the cable line, for example at c3 point, SPEF currents at ZSCT CT1 and CT2 are not equal in magnitude and has the opposite direction (figure 1,b). Further, current in the coil of the current relay CR is

$$I_{r,k3} = I_{C1.1} + I_{C1.2} \tag{2}$$

From which it follows that the protection will only work at SPEF in the interval from ZSCT to the load bus bars. Thus, this protection as a cross-differential protection has absolute selectivity and has a dead band [1, 2, 11]. The dead band magnitude is determined by comparing the dependence I_{r,k3}(l_{k3}) and the trip current magnitude I_{tr} as follows.

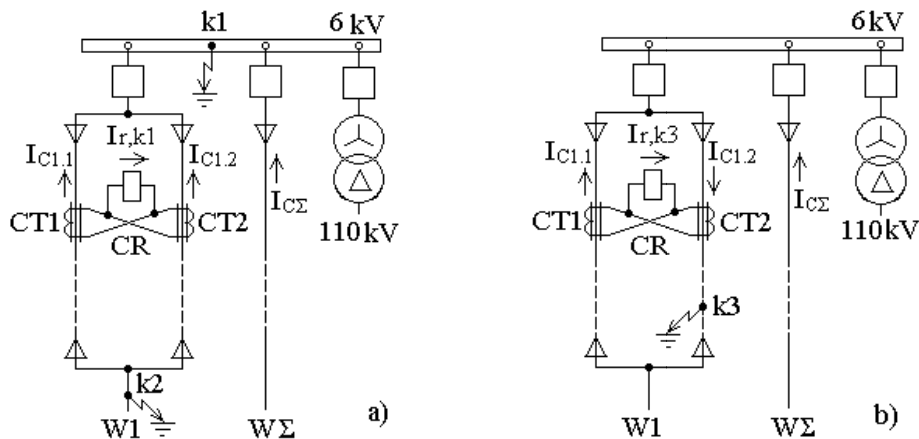


Figure 1 – Currents distribution schematic at SPEF on the substation bus bars and in the protected two-cable line

Sensitivity and area of protection. During operation, the number of connections to the substation bus bars other than the protected line can vary significantly. Consequently, will vary the total magnitude of their capacity C_{Σ} and the magnitude of currents $I_{C1.1}$, $I_{C1.2}$ as well as their difference in the form $I_{r,k3}$. Current dependencies $I_{C1.1}$, $I_{C1.2}$ as well as their difference in the form of current in the relay coil $I_{r,k3}$ from the location of SPEF c3 point on the damaged cable in the network at $C_{\Sigma} = 40 \mu F$, $20 \mu F$ and $0 \mu F$ are shown in figure 2. These dependencies in accordance with [19] were obtained using Electronics Workbench, a well-known circuit modeling system [20] for a line of two aluminum cables with a core section of 10 mm^2 and a length of l_c equal to 1 km, which have $r_o = 3,1 \text{ Ohm/km}$ and $c_o = 3,1 \mu F/km$ at nominal phase voltage $U_{ph} = 220 \text{ V}$.

Trip current is also determined as for conventional cross-differential protection in the form of

$$I_{tr} = C_k C_r I_{unb}, \quad (3)$$

where C_k is the coefficient for taking into account capacitive kicks for intermittent SPEF, which, if there is a time relay, is assumed to be 2-3; C_r - the reliability coefficient in accordance with [11] is equal to 1.1-1.2; I_{unb} - unbalance current, i.e. the highest current magnitude in the relay coil, in the absence of SPEF in the protected line.

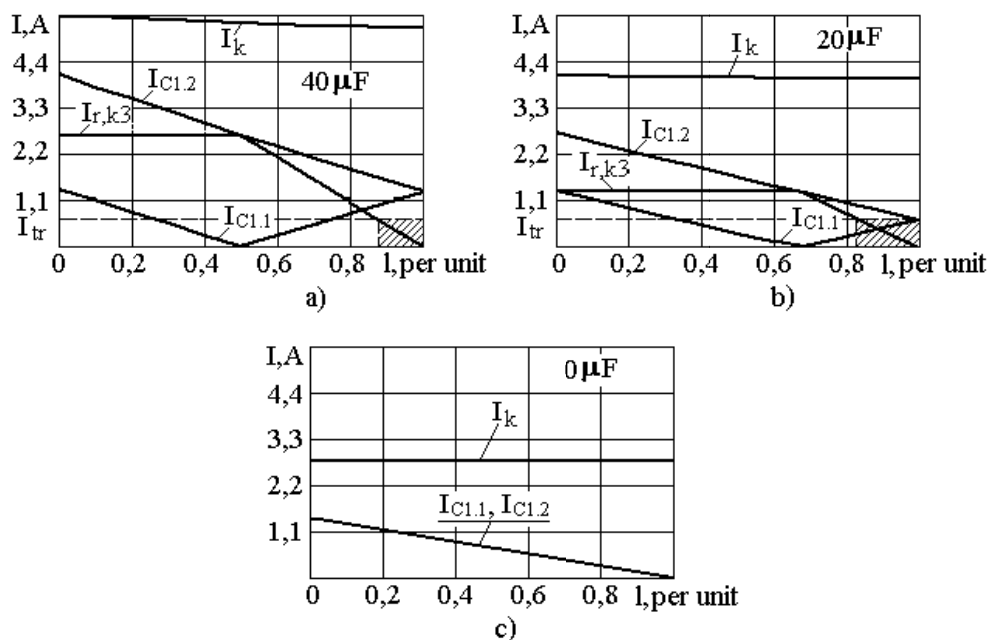


Figure 2 – Modeling results using zero sequence current difference

As is known, ZSCT, like conventional current transformers, has measurement errors that are caused by non-identical characteristics of magnetization by a number of other causes caused by their manufacture and installation. These measurement errors are made up of errors in both current and angle. Measurement error magnitude is largely dependent on the type of ZSCT. However, when determining the operation threshold and putting protection into operation, it is considered that the difference between the measured losses from the initial magnitude should not exceed 10% of the current and 7° of the angle [7].

Results. As during the operation the number of connections to substation bus bars can vary, from the scheme in Fig. 1,a and the dependencies in figure 2 it becomes clear that the greatest current magnitude I_{gr} will be at SPEF at point k2, when the sum of the capacitive currents of all available connections to substation bus bars, except for the protected line will flow through ZSCT. In this case, the unbalance current in the relay coil is equal to

$$I_{\text{unb}} = I_{C\Sigma} C_{\text{err}}, \quad (4)$$

where C_{err} - is ZSCT error coefficient, in calculations taken equal to 0.1.

Thus, for the previously considered line of two aluminum cables with the capacity of all other connections $C_{\Sigma} = 40 \mu\text{F}$, the unbalance current will be 0.3 A, and the current tripper will be 0.66-0.72 A. Then, taking into account figures 2,a and 2,b the dead band size at $C_{\Sigma} = 40 \mu\text{F}$ and $20 \mu\text{F}$ will be approximately (0,12-0,13) I_c and (0,18-0,196) I_c .

Conclusion. Thus, an increase in the number of connections on substation bus bars, which leads to an increase in the total magnitude of their capacity C_{Σ} , is accompanied by an increase in zero-sequence currents through ZSCT at SPEF in any cable of the protected line, and, consequently, by the increase of the current $I_{r,k3}$ in the coil of the current relay CR and the reduction of the dead band zone size. At the same time, disconnection of all connections from the substation bus bars leads to the fact that the current $I_{r,k3}$ in the coil of the current relay CR sets to zero (figure 2,c), and the protection becomes insensitive to SPEF. However, this is entirely permissible, if the substation is equipped with non-selective SPEF occurrence signalization.

REFERENCES

- [1] Berkovich M.A. (1984) Fundamentals of Relay Protection Technology, Moscow: Energoatomizdat, p. 232. UDK 621.316.925
- [2] Korogodsky V.I., Kuzhekov S.P., Paperno L.B. (1987) Relay Protection Of Electric Motors with Voltage Higher Than 1000 V, Moscow: Energoatomizdat, p. 248. UDK 621.316.9:621.313.13.
- [3] Chernobrovov N.V. Relay Protection, Manual for technical schools, Moscow: Energia, 1971, p.624. UDK 621.316.925(075).
- [4] Lubomir Marciniak (2009) Modeling of digital earth fault protection using PSCAD, Przegląd Elektrotechniczny, nr 03, p.192-195. DOI:10.15199/48.2017.12.01 (in Eng.).
- [5] Józef Lorenc, Witold Hoppel, Technical methods supporting operation of earth fault protection in medium voltage networks, Przegląd Elektrotechniczny, 2009, nr 09, p.241-248 DOI:10.15199/48.2017.12.01 (in Eng.).
- [6] Mariusz Najgebauer, Krzysztof Chwastek, Jan Szczygłowski. Energy-saving electric power transformers, Przegląd Elektrotechniczny, 2009, nr. 09, 90-92. DOI:10.15199/48.2017.12.01 (in Eng.).
- [7] Novozhilov A., Issabekov Zh., Novozhilov T. (2016) 2nd International Conference on Industrial Engineering, Applications and Manufacturing (ICIEAM), IEEE Conference Publications, 1-3, DOI: 10.1109 / ICIEAM. 2016.7911418 (in Eng.).
- [8] Panfilov D.I., Ivanov V.S., Chepurin I.N. (1999) Electrical Engineering and Electronics in Experiments and Exercises: Workshop on Electronics Workbench // In 2 vol.; vol. 1: Electrical Engineering. M.: DODEC, p. 304. ISBN 5-87835-050-5.
- [9] 153-34.20.120-2003. Rules for the installation of electrical installations. 7th ed. M.: Glavgosenergonadzor, 2003. P. 640 (in Rus.).
- [10] Wang Y., Wei G., Yang H., Chen H., Ouyang Z. (2018) Novel Protection Scheme of Single-Phase Earth Fault for Radial Distribution Systems with Distributed Generators // IEEE Transactions on Power Delivery, 33(2): 541-548. DOI: 10.1109/TPWRD.2016.2585380 (in Eng.).
- [11] Mardegan C.S., Rifaat R. (2015) Insights into applications of IEEE standards for ground-fault protection in industrial and commercial power systems" // IEEE Trans. Ind. Appl. Jul./Aug. 2015. Vol. 51, N 4. P. 2854-2861. DOI: 10.1109/TIA.2015.2391434.
- [12] Abdel-Fattah M.F., Lehtonen M. (2012) Transient algorithm based on earth capacitance estimation for earth-fault detection in medium-voltage networks // IET Gen. Transm. Distrib. 2012. Vol. 6, N 2. P. 161-166. DOI: 10.1049/iet-gtd.2011.0329.
- [13] Wang Y., Zhou J., Li Z., Dong Z., Xu Y. (2015) Discriminant-analysis-based single-phase earth fault protection using improved PCA in distribution systems" // IEEE Trans. Power Del. Aug. 2015. Vol. 30, N 4. P. 1974-1982. DOI: 10.1109/TPWRD.2015.2408814.
- [14] Yang J., Li W., Han Y., Zhao Y. (2016) Research on the effects of cable on the reactive power of urban distribution network. Dianli Xitong Baohu yu Kongzhi // Power System Protection and Control. 44(16). P. 143-148. DOI: 10.7667/PSPC151475.
- [15] Nagay I.V., Nagay V.I., Kireev P.S. (2015) Recognition of the fault regimes for the remote electrical objects // Procedia Engineering 129. P. 595-600 DOI: 10.1016/j.proeng.2015.12.071.
- [16] Zhukov V.V. (2000) Calculation of short-circuit currents, taking into account changes in the parameters of the short circuit // Power Stations. 6. P. 36-42.

[17] Figurnov E.P. (2009) Relay protection. Textbook in 2 parts. Part 2. SEI "Educational-methodical center on education on railway transport». М. Р. 604. ISBN 978-5-89035-582-9.

[18] Bogdan A.V., Kletsel M.J., Nikitin K.I. (1991) Adaptive backup current protection of lines with branches, Electricity, М. 2. Р. 51-54.

[19] Alexandre Nassif (2018) An Analytical Assessment of Feeder Overcurrent Protection with Large Penetration of Distributed Energy Resources // IEEE Transactions on Industry Applications. Vol.: PP, Issue: 99. DOI: 10.1109/TIA.2018.2810260.

[20] Rebizanta W., Solaka K., Brusilowicza B., Benysekb G., Kempskib A., Rusiński J. (2018) Coordination of overcurrent protection relays in networks with superconducting fault current limiters. February 2018. Vol. 95. P. 307-314. <https://doi.org/10.1016/j.ijepes.2017.08.021>.

Ж. Б. Исабеков¹, А. Н. Новожилов¹, Т. А. Новожилов², Б. Б. Исабекова³

¹Павлодарский государственный университет им. С. Торайгырова, Павлодар, Казахстан,

²Омский государственный технический университет, Омск, Россия,

³Павлодарский государственный педагогический университет, Павлодар, Казахстан

ЗАЩИТА ЛИНИИ ИЗ ДВУХ КАБЕЛЕЙ ОТ ОДНОФАЗНОГО ЗАМЫКАНИЯ НА ЗЕМЛЮ С АБСОЛЮТНОЙ СЕЛЕКТИВНОСТЬЮ

Аннотация. В настоящее время если линия имеет два кабеля, то при реализации ее защиты от однофазного замыкания на землю в сетях с изолированной нейтралью используют один трансформатор тока нулевой последовательности, одеваемый одновременно на оба кабеля или по одному на кабель. При этом вторичные обмотки этих трансформаторов соединяют согласно параллельно или согласно последовательно. При выполнении условий выбора порога срабатывания изложенного в зоне действия таких защит распространяется как на всю линию, так и на всех ее потребителей. В результате защита такой линии обладает относительной селективностью.

В данной статье обоснована актуальность защиты линии из двух кабелей от однофазного замыкания на землю с абсолютной селективностью, разработан ее способ защиты, основанный на измерении разности токов нулевой последовательности в кабелях этой линии. Приведен выбор режима работы этой линии при котором ток небаланса в реле тока максимален и предложен метод расчета порога срабатывания реле тока. Дана оценка зоны нечувствительности защиты и ее зависимость от числа присоединений на шинах подстанции.

Ключевые слова: электрическая линия из двух кабелей, однофазное замыкание на землю, способ защиты, порог срабатывания защиты.

Information of the authors:

Issabekov Zhanat – Doctoral student, Pavlodar State University, Pavlodar, Kazakhstan; zh_is@mail.ru; <https://orcid.org/0000-0003-3980-1617>

Novozhilov Alexandr – prof. doctor of technical sciences, Pavlodar State University, Pavlodar, Kazakhstan; timokvey@mail.ru; <https://orcid.org/0000-0001-7530-5034>

Novozhilov Timofey – Ph.D. in Technical Science, Associate Professor, Omsk State Technical University, Omsk, Russia; timokvey@mail.ru; <https://orcid.org/0000-0003-0293-7852>

Issabekova Bibigul – Ph.D. in Technical Science, Pavlodar State Pedagogical University, Pavlodar, Kazakhstan; asbizh@mail.ru; <https://orcid.org/0000-0001-5044-3211>

**Publication Ethics and Publication Malpractice
in the journals of the National Academy of Sciences of the Republic of Kazakhstan**

For information on Ethics in publishing and Ethical guidelines for journal publication see <http://www.elsevier.com/publishingethics> and <http://www.elsevier.com/journal-authors/ethics>.

Submission of an article to the National Academy of Sciences of the Republic of Kazakhstan implies that the described work has not been published previously (except in the form of an abstract or as part of a published lecture or academic thesis or as an electronic preprint, see <http://www.elsevier.com/postingpolicy>), that it is not under consideration for publication elsewhere, that its publication is approved by all authors and tacitly or explicitly by the responsible authorities where the work was carried out, and that, if accepted, it will not be published elsewhere in the same form, in English or in any other language, including electronically without the written consent of the copyright-holder. In particular, translations into English of papers already published in another language are not accepted.

No other forms of scientific misconduct are allowed, such as plagiarism, falsification, fraudulent data, incorrect interpretation of other works, incorrect citations, etc. The National Academy of Sciences of the Republic of Kazakhstan follows the Code of Conduct of the Committee on Publication Ethics (COPE), and follows the COPE Flowcharts for Resolving Cases of Suspected Misconduct (http://publicationethics.org/files/u2/New_Code.pdf). To verify originality, your article may be checked by the Cross Check originality detection service <http://www.elsevier.com/editors/plagdetect>.

The authors are obliged to participate in peer review process and be ready to provide corrections, clarifications, retractions and apologies when needed. All authors of a paper should have significantly contributed to the research.

The reviewers should provide objective judgments and should point out relevant published works which are not yet cited. Reviewed articles should be treated confidentially. The reviewers will be chosen in such a way that there is no conflict of interests with respect to the research, the authors and/or the research funders.

The editors have complete responsibility and authority to reject or accept a paper, and they will only accept a paper when reasonably certain. They will preserve anonymity of reviewers and promote publication of corrections, clarifications, retractions and apologies when needed. The acceptance of a paper automatically implies the copyright transfer to the National Academy of Sciences of the Republic of Kazakhstan.

The Editorial Board of the National Academy of Sciences of the Republic of Kazakhstan will monitor and safeguard publishing ethics.

Правила оформления статьи для публикации в журнале смотреть на сайте:

www.nauka-nanrk.kz

ISSN 2518-170X (Online), ISSN 2224-5278 (Print)

<http://geolog-technical.kz/index.php/kz/>

Верстка *Д. Н. Калкабековой*

Подписано в печать 08.10.2018.

Формат 70x881/8. Бумага офсетная. Печать – ризограф.
15,0 п.л. Тираж 300. Заказ 5.